

Temperature Actuated Flow Reducers (TAFR)

DESCRIPTION

Cash Acme Heatguard™ Temperature Actuated Flow Reducing (TAFR) devices protect everyone from scalding.

The Cash Acme TAFR devices use proven thermostatic element technology for most all showers, faucets and baths.

Applications for Cash Acme's TAFR devices are almost endless: private and public housing, child care centers, hospitals, hotels and motels and nursing homes just to name a few.

FEATURES AND BENEFITS

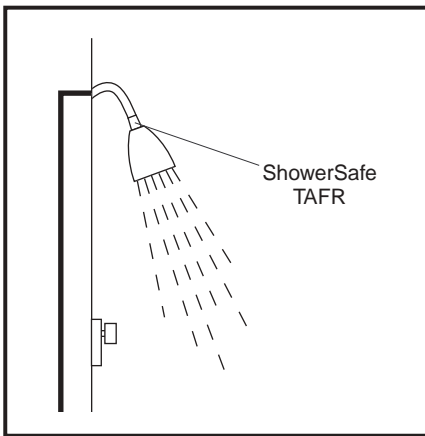
Conforms to international safety standards:
Specify and install with confidence!

Simple and effective scald prevention:
Quick installation and fits most showers, taps and baths.

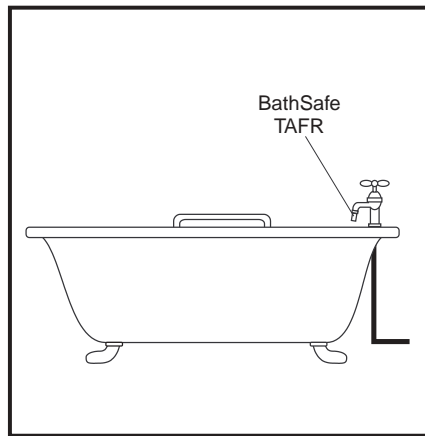
Strong construction with a sleek design:
Made from solid brass with a chrome or polished brass finish.

Perfect for remodeling applications:
Ease of installation provides cost effective scald protection.

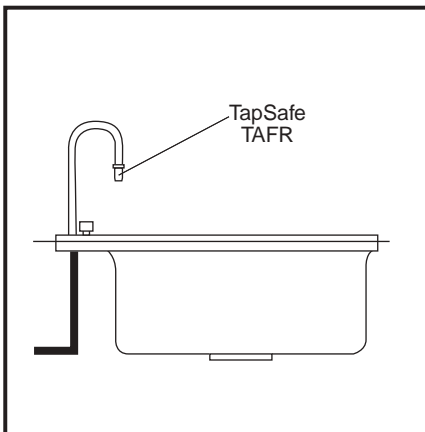
TYPICAL INSTALLATION



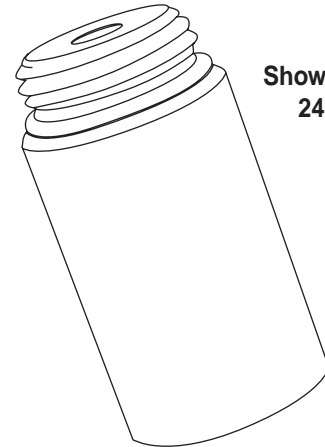
ShowerSafe 24110



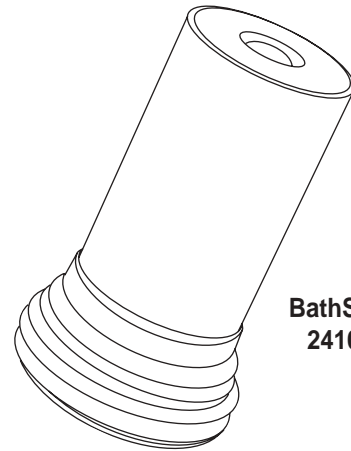
BathSafe 24109



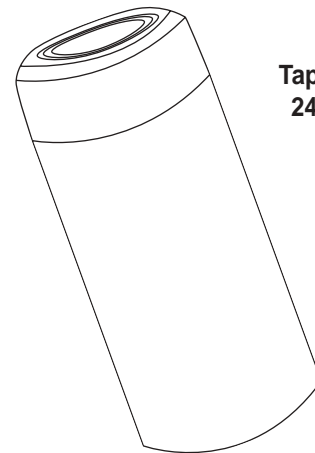
TapSafe 24108



ShowerSafe 24110



BathSafe 24109



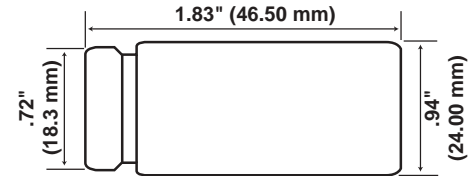
TapSafe 24108

Temperature Actuated Flow Reducers (TAFR)

SPECIFICATION DATA

Heatguard™ ShowerSafe Valve Performance:

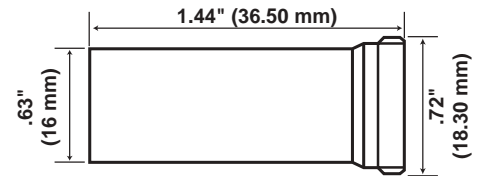
Hot water supply temperature . . .185° F max.
 Max. flow rate4.0 GPM
 Shut-downless than 0.25 GPM
 Nominal set temperature117° F ± 2° F
 Max. operating pressure145 PSI
 Min. operating pressureless than 1.5 PSI



ShowerSafe 24110

Heatguard™ BathSafe Valve Performance:

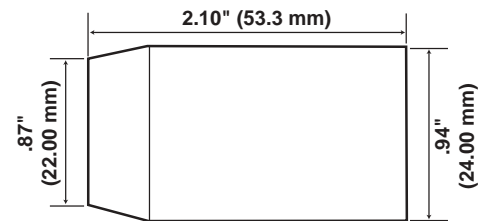
Hot water supply temperature . . .185° F max.
 Flow rate normalgreater than 6.6 GPM
 Shut-downless than 0.25 GPM
 Nominal set temperature117° F ± 2° F
 Max. operating pressure145 PSI
 Min. operating pressureless than 1.5 PSI



BathSafe 24109

Heatguard™ TapSafe Valve Performance:

Hot water supply temperature . . .185° F max.
 Max. flow rate2.2 GPM
 Shut-downless than 0.25 GPM
 Nominal set temperature117° F ± 2° F
 Max. operating pressure145 PSI
 Min. operating pressureless than 1.5 PSI



TapSafe 24108

CERTIFICATIONS

The Cash Acme Heatguard™ TAFR devices are certified to **UPC, IAPMO, CSA** and **ASSE 1062**.